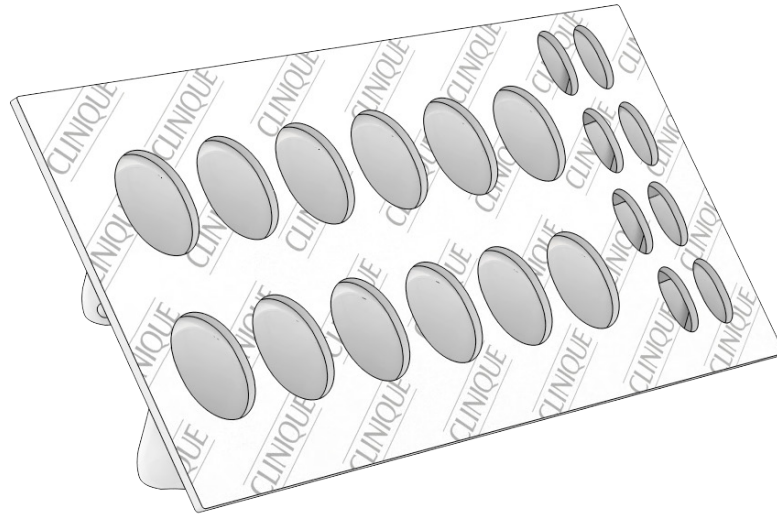


CLINIQUE

Specific italy EBV topper

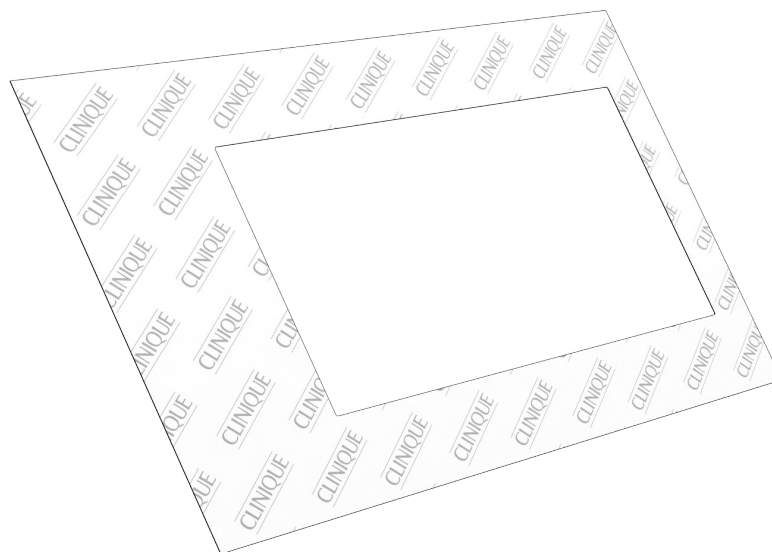
*Components for update.
Kit consists of:*

Locator



x1

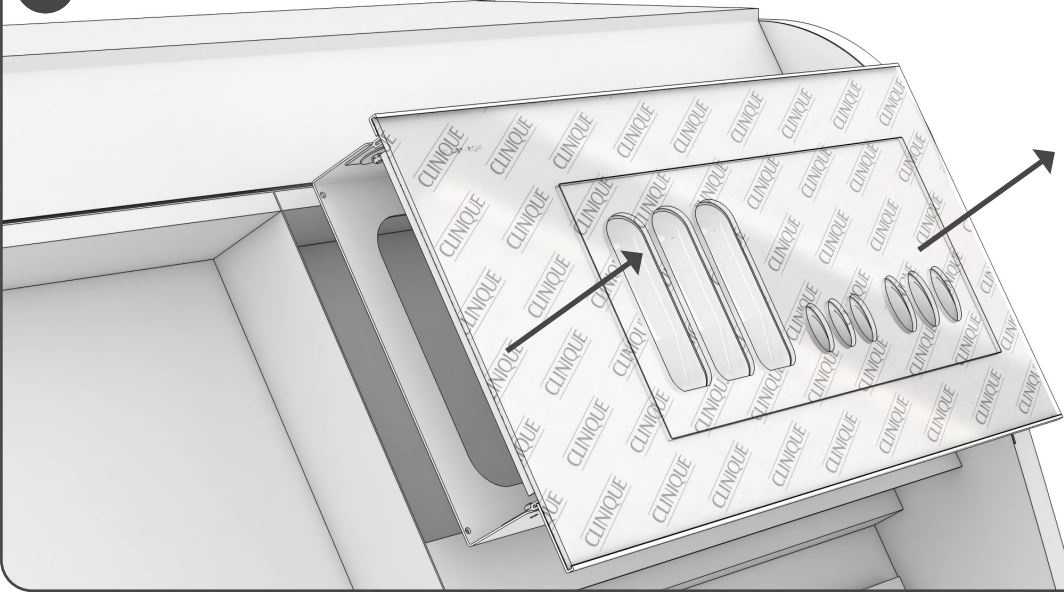
Frame visual



x1

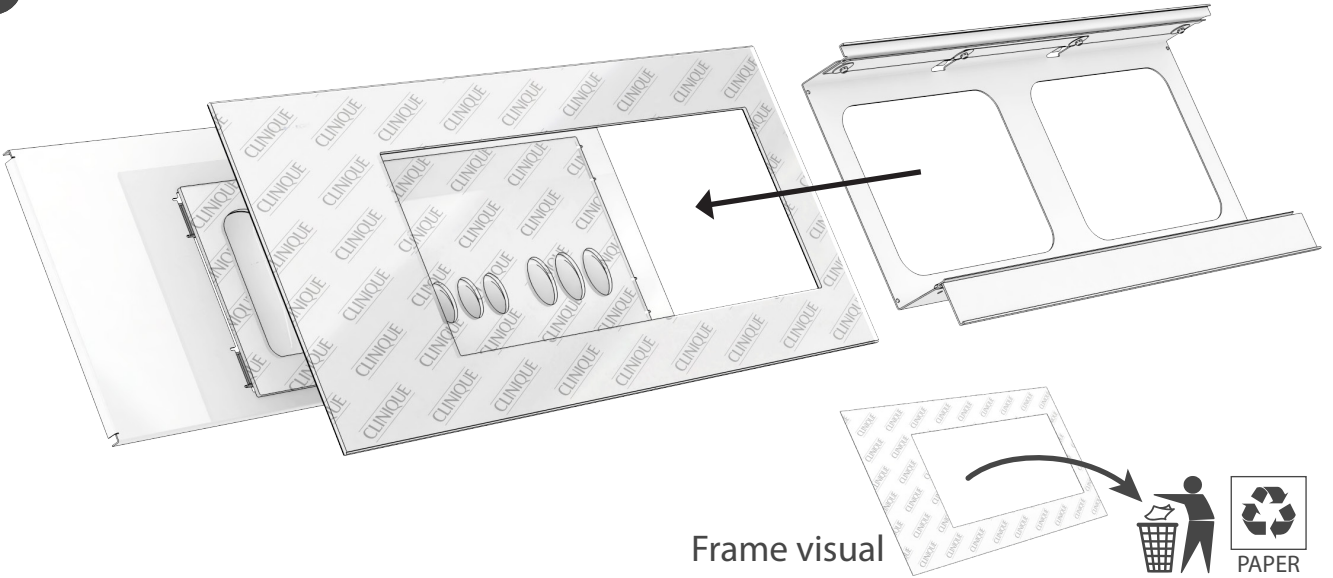
1

Pull the existing grid out.



2

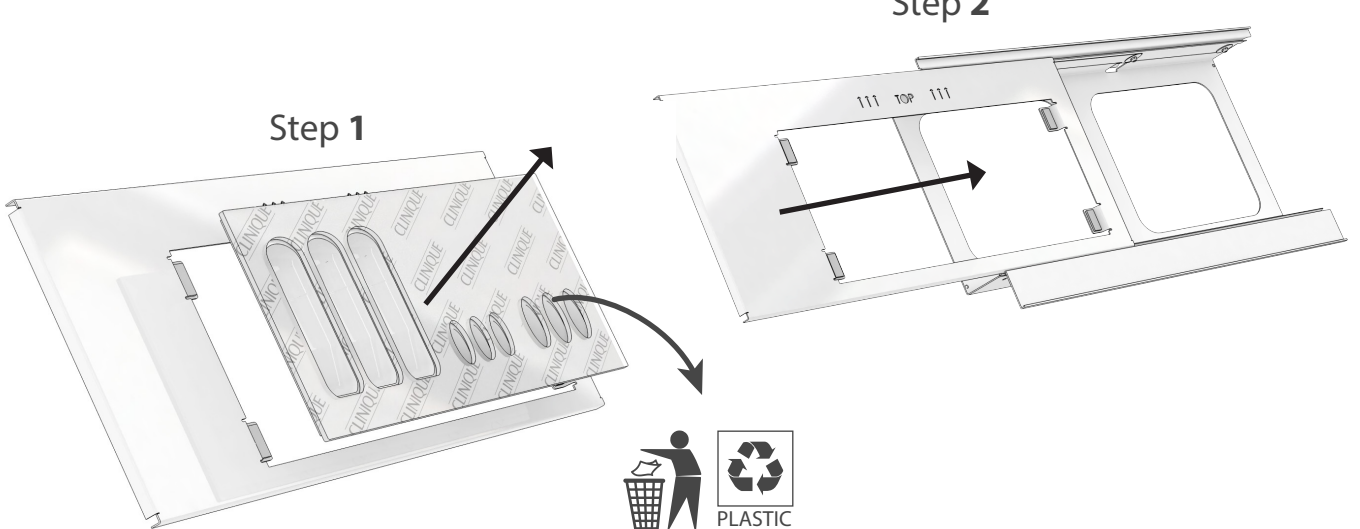
Slide all elements out of the metal base.



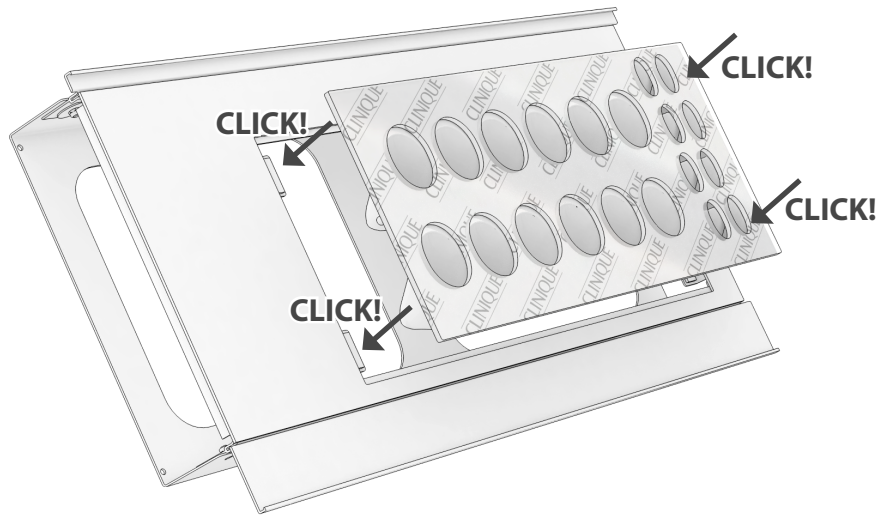
3

Step 1: Remove the locator.

Step 2: Put the metal retrofit back inside the metal base.



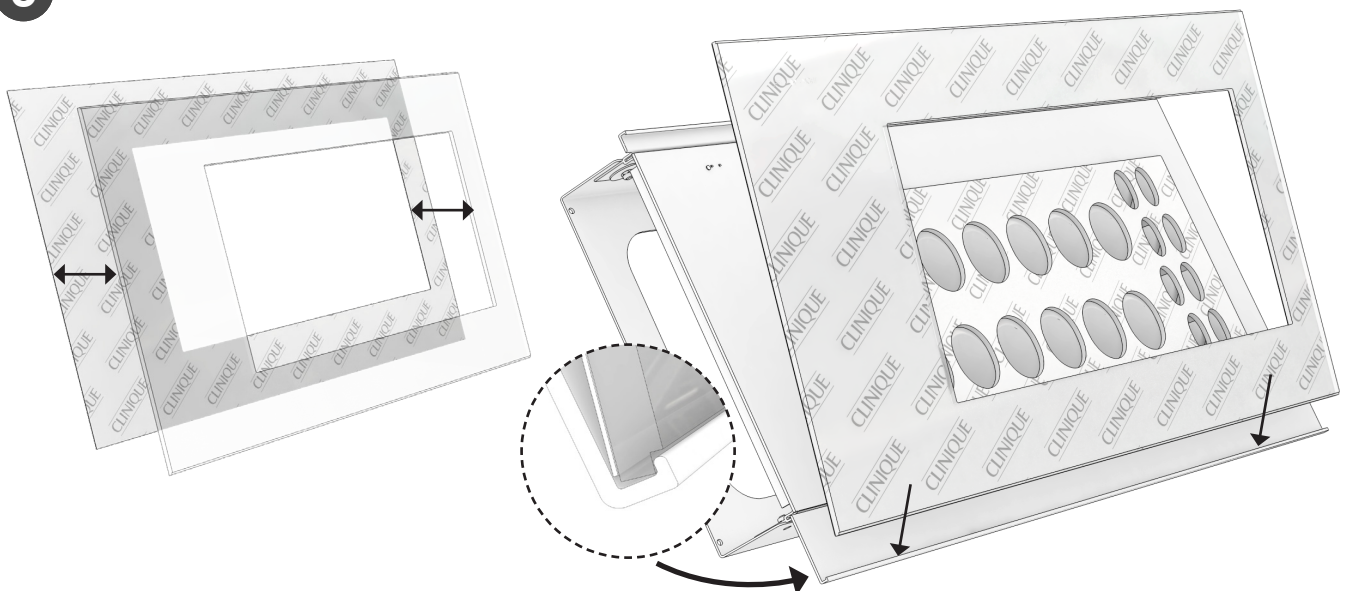
4 Install the new insert on metal retrofit, by pressing on the 4 corners (velcro tapes).



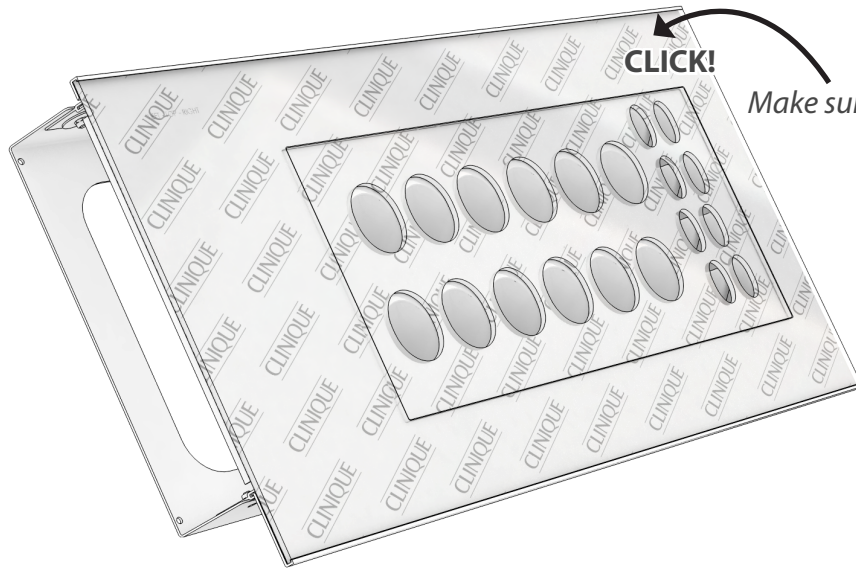
5 Location of the velcro.



6 Place the rolled New visual under the clear frame and place them on the structure.

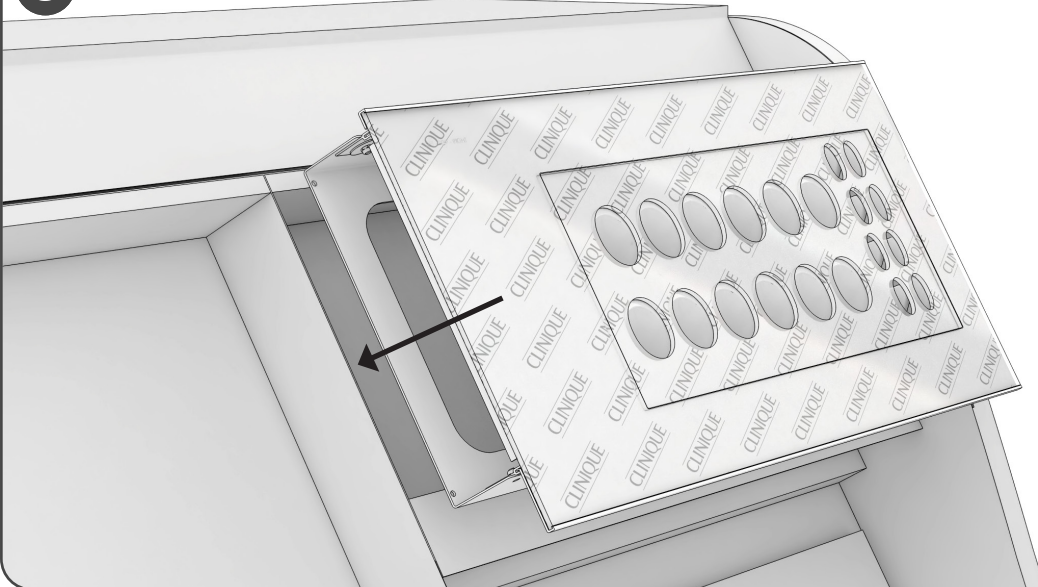


7



8

Place the grid into the gondola

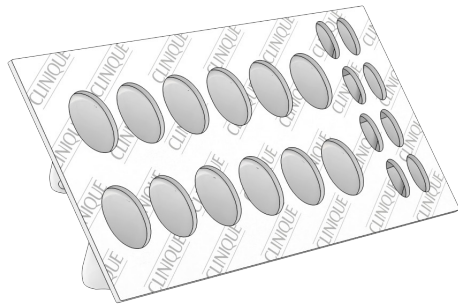


Disposal instruction

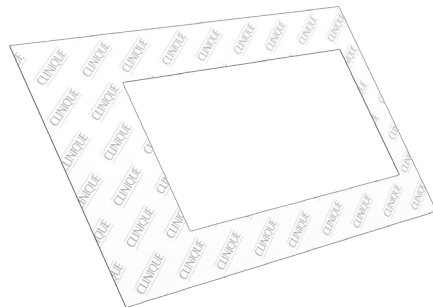
NOMENCLATURE

Generic module
PMMA PS Paper

Locator
(PMMA + HIPS)



Frame visual



Cleaning your unit

It is essential that the unit is regularly cleaned.

DO NOT USE:

- Cleaning spray!
- Window cleaner!
- Household cleaner!
- Aerosol spray!
- Solvent!
- Alcohol!
- Ammonia!
- Acetone!
- Abrasive!



SAFE TO USE:

- Microfiber cloth
- Soapy solution (dishwashing liquid diluted in water) lightly applied to cloth

